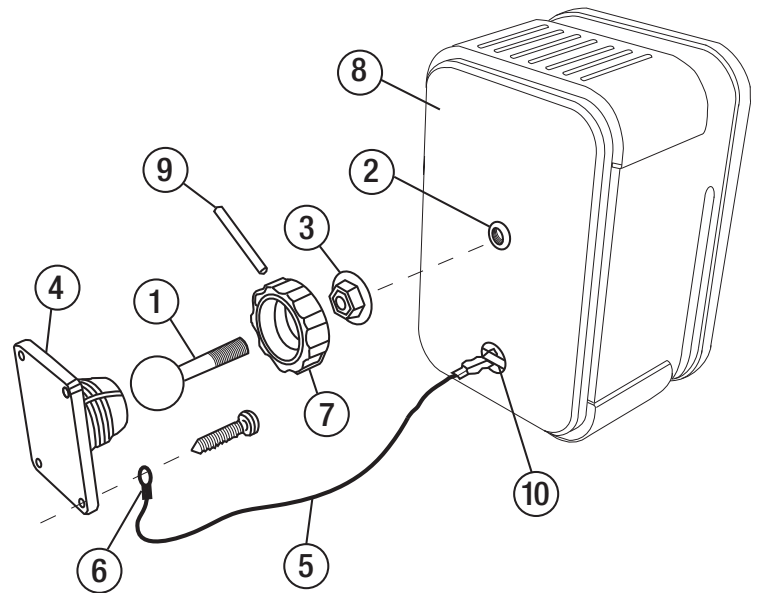


# Wall Bracket Instruction Sheet for Control 1 Pro and CSS1 S/T

To mount a Control 1Pro or CSS-1S/T follow these instructions:

- A. Screw the metal rod/ball assembly (1) into the threaded insert (2) on the back of the cabinet (8) until it is seated against the bottom of the insert.
- B. Next, tighten the “knurled” nut (3) with a small wrench until it is seated against the back of the cabinet. Tighten the nut until it has “locked” the rod/ball assembly (1) to the cabinet. Note: the nut may leave marks on the back of the cabinet where the attachment is made however, the flange of the nut will cover these marks.
- C. Mount the wall bracket plate (4) onto a flat sturdy surface using the appropriate mounting hardware for the surface. A safety cable (5) (not included) may be attached to the wall bracket via its eyelet (6) at one of the two lower screw mounting points or to a secondary point off the mounting plate.
- D. Next, slip the large molded nut (7) over the ball on the metal rod/ball assembly (1).
- E. Holding the cabinet (8) with both hands, insert the ball on the metal rod/ball assembly (1) into the cup of the wall plate (4).
- F. Orient the speaker into the desired position and hand tighten the molded nut (7). Once the orientation is finalized, use the metal bar (9) in one of the holes on the molded nut (7) to securely tighten.



**NOTE:** Over tightening can damage the nut. Tighten using the supplied bar and hand-force only. Use of additional tools such as pliers to tighten the nut will void the warranty.

**IMPORTANT:** Do NOT re-position (re-aim) the speaker when the molded nut (7) is tightened. Doing so could damage or break the bracket assembly. Instead, loosen the nut (7), then do the re-positioning (re-aiming) of the speaker, and then re-tighten the nut (7) again per instructions above.

- G. Clip the safety cable to the cabinet's safety bar (10) on the back of the cabinet.

**\*CAUTION:** Unsafe mounting or overhead suspension can result in serious injury and equipment damage. Mounting of speakers should be done by qualified persons in accordance with all applicable local safety and construction standards.

## JBL Professional Contact Information Mailing Address:

JBL Professional 8500 Balboa Blvd. Northridge, CA 91329

## Shipping Address:

JBL Professional 8370 Balboa Blvd., Dock D Northridge, CA 91329

## Customer Service:

Monday through Friday | 8:00am - 5:00pm  
Pacific Coast Time in the USA  
(800) 8JBLPRO (800.852.5776)  
www.jblproservice.com

## On the World Wide Web:

www.jblpro.com

**Outside the USA:** Contact the JBL Professional Distributor in your area. A complete list of JBL Professional international distributors is provided at our U.S.A. website - [www.jblpro.com](http://www.jblpro.com)

**En Dehors des Etats-Unis:** Contacter votre Distributeur JBL Professional. Une liste complète de nos distributeurs internationaux est disponible sur le site web [www.jblpro.com](http://www.jblpro.com)

**International:** Wenden Sie sich an Ihre örtliche JBL Professional Vertretung. Eine vollständige Liste der internationalen JBL-Vertretungen finden Sie auf unserem Website unter [www.jblpro.com](http://www.jblpro.com)

**Fuera de los Estados Unidos:** Comuníquese con el distribuidor de JBL Professional de su zona. En nuestro sitio web, [www.jblpro.com](http://www.jblpro.com), encontrará una lista completa de los distribuidores de JBL International.

8500 Balboa Boulevard  
Northridge, CA 91329 USA  
Visit us online at [www.jblpro.com](http://www.jblpro.com)