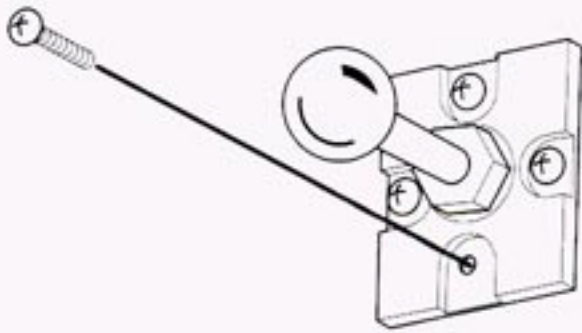
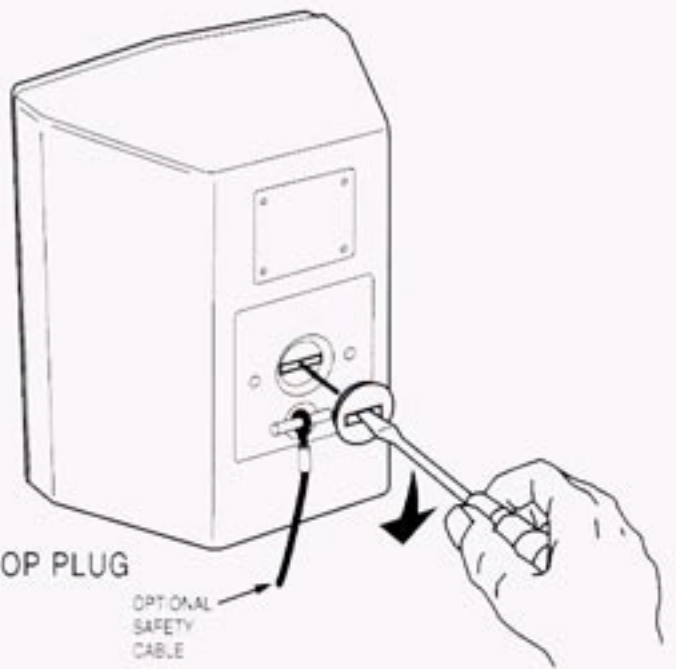


1



• MOUNT TO WALL

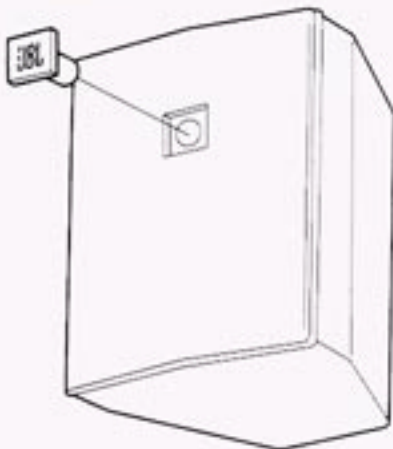
2



• POP PLUG

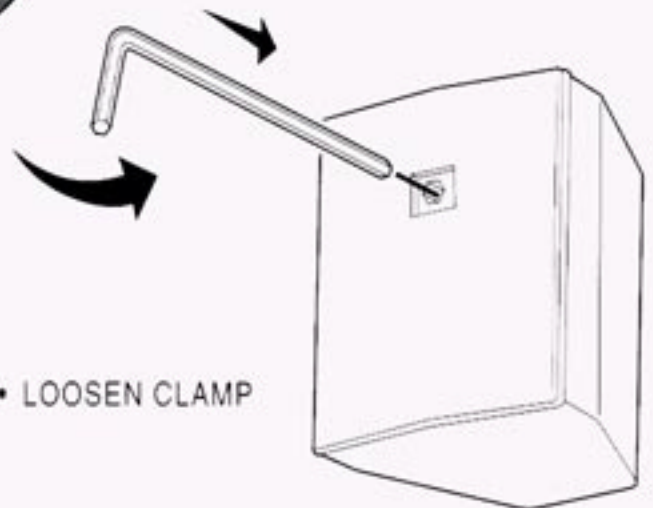
OPTIONAL SAFETY CABLE

3



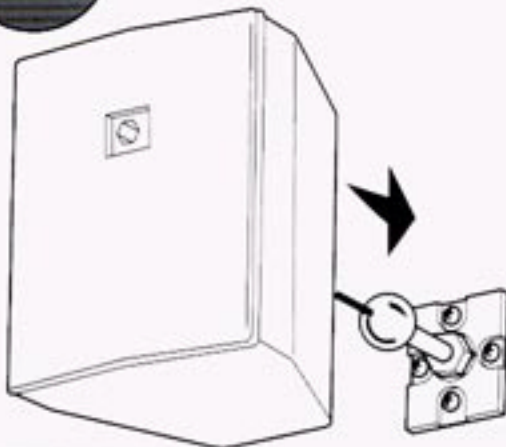
• REMOVE LOGO BADGE

4



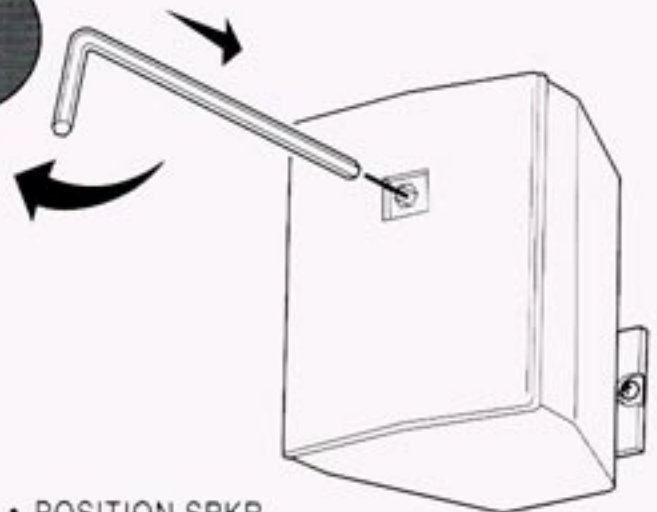
• LOOSEN CLAMP

5



• ATTACH SAFETY CORD/MOUNT SPKR

6



• POSITION SPKR, TIGHTEN CLAMP, REPLACE LOGO BADGE